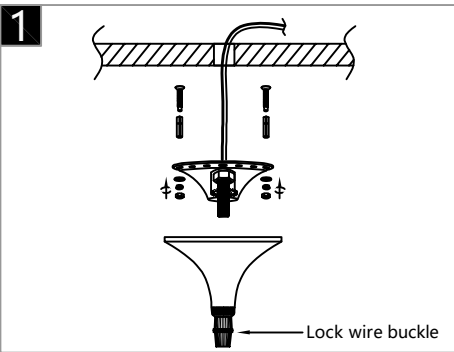


Warning:
This product must be installed by personnel who are familiar with its structure and related hazards, in accordance with the installation specifications. This product is suitable for indoor installation.

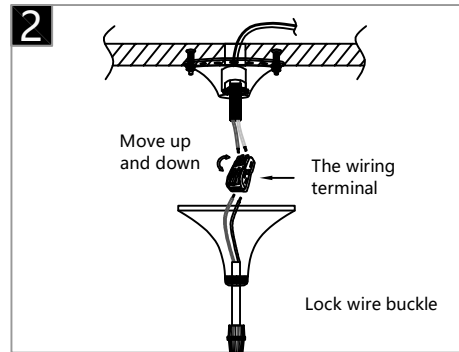


Product style diagram

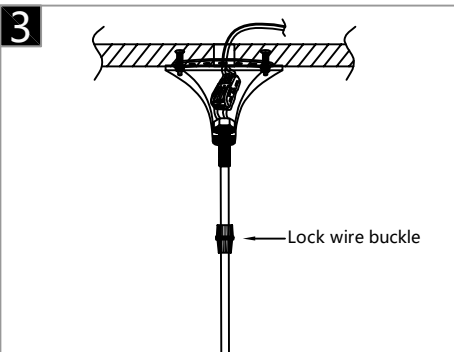
Steps of installation



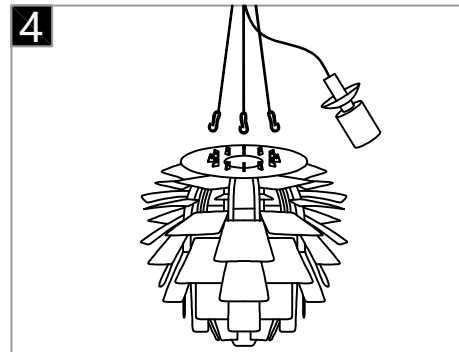
Loosen the lock thread, fix the expansion screws onto the ceiling, and then lock the mounting plate onto the screws.



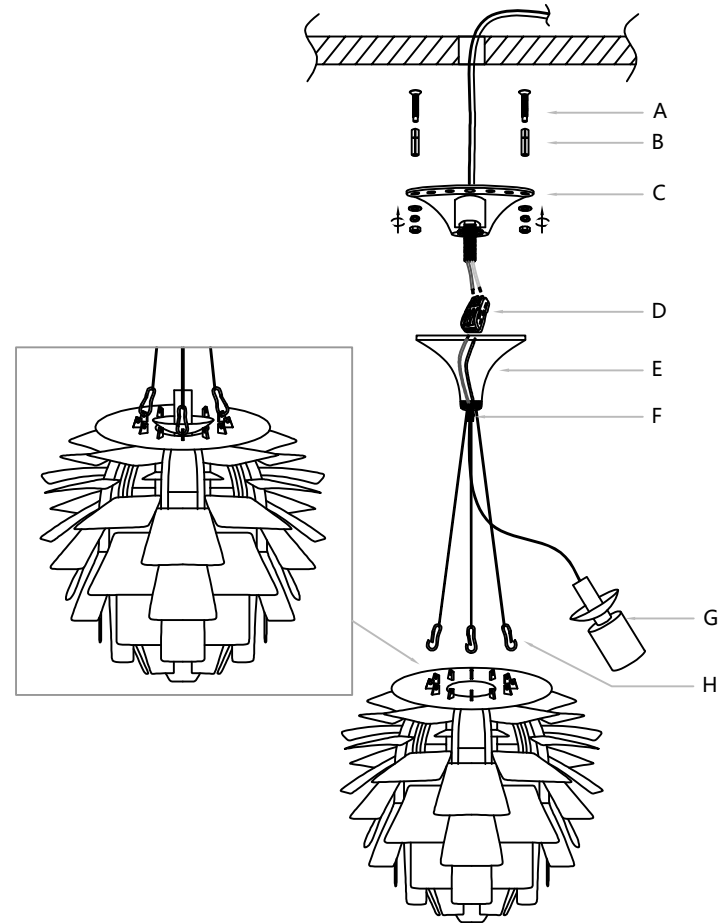
Connect the wires inside the luminaire and ceiling to the terminal, usually neutral wire (white), hot wire (black)



Attach the top cover to the mounting plate and then tighten the locking wire buckle



Install the safety buckle to the lamp, then install the bulb and put the cap into the lamp body



Put the iron pin (B) on the expansion screw (A) and then drive it into the ceiling, then fix the mounting plate (C) on the screw, tighten the screw at the bottom, then fasten the safety buckle (H) on the lamp body, then install the light source on the lamp head (G), and then put it into the lamp body, Then loosen the lock wire buckle (F), then connect the reserved wire on the lamp body and the wire on the ceiling to the terminal (D), then lift the top cover (E) up, and then screw the lock wire buckle (F).