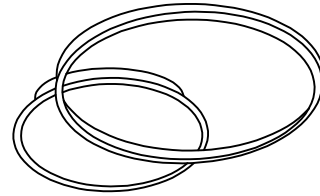
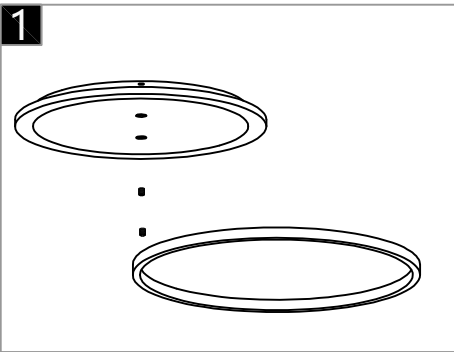


Warning:
This product must be installed by personnel who are familiar with its structure and related hazards, in accordance with the installation specifications. This product is suitable for indoor installation.

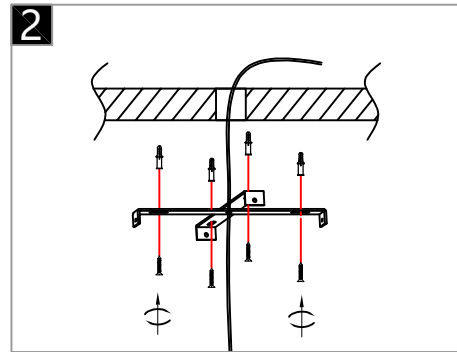


Product style diagram

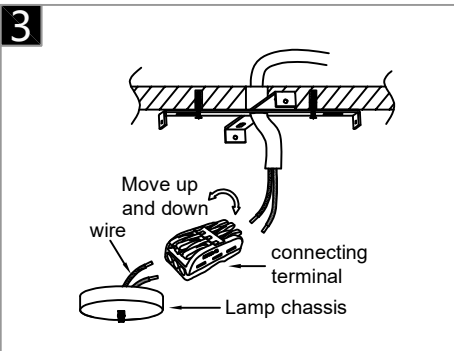
Steps of installation



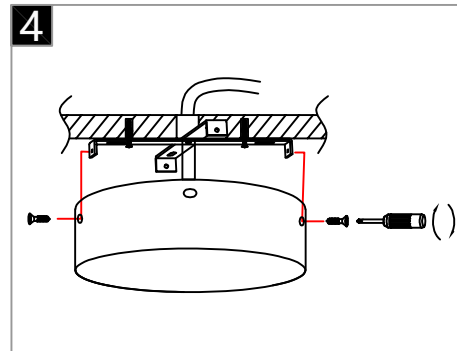
First, the wire inside the lamp ring is passed through the thread rod and then fixed to the main body of the lamp,



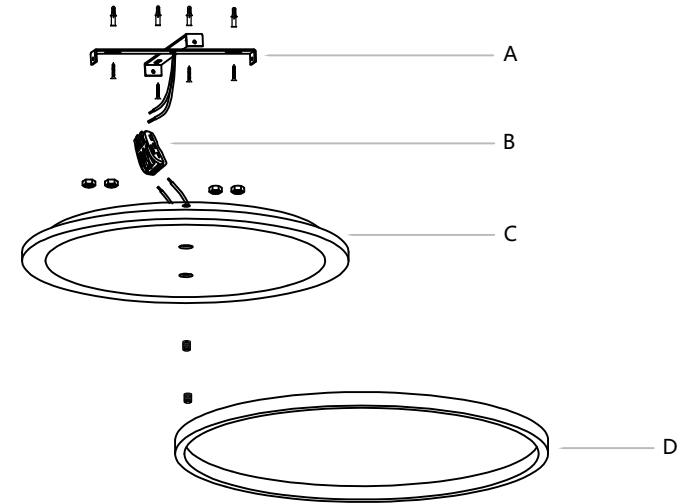
Attach the mounting plate to the ceiling with self-tapping screws.



Connect the wires to the terminal blocks. Usually, the neutral wire (white) and the live wire (black).

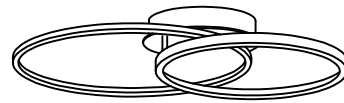


Align the hole on the side of the integral lamp canopy with the hole on the mounting plate and lock it tightly with screws.



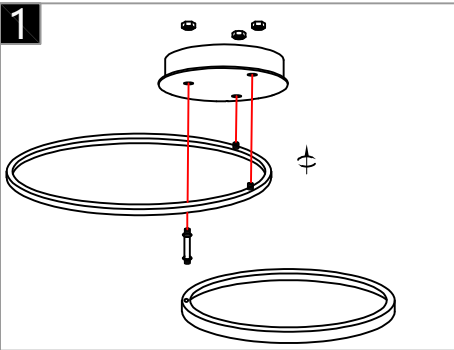
First, install the lamp ring (D) onto the top cover (C). Then, fix the mounting plate (A) to the ceiling. Next, connect the wires reserved on the top cover (C) to the terminal blocks (B) on the ceiling. Finally, lock the top cover (C) onto the mounting plate (A), and then tighten the screws at the edges of the top cover (C).

Warning:
 This product must be installed by personnel who are familiar with its structure and related hazards, in accordance with the installation specifications. This product is suitable for indoor installation.

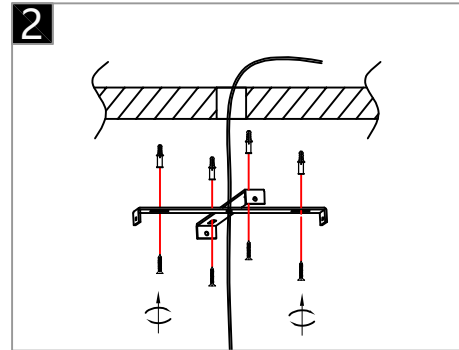


Product style diagram

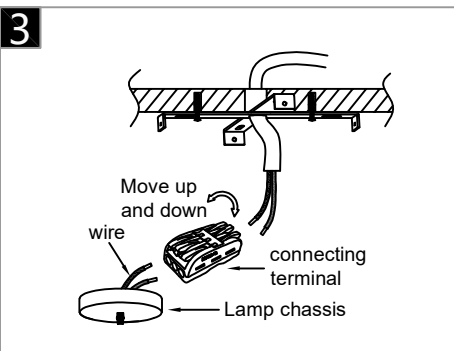
Steps of installation



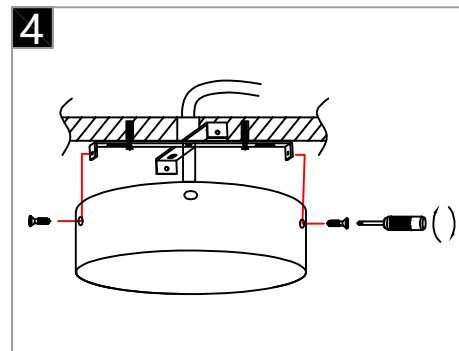
First, the wire inside the lamp ring is passed through the thread rod and then fixed to the main body of the lamp,



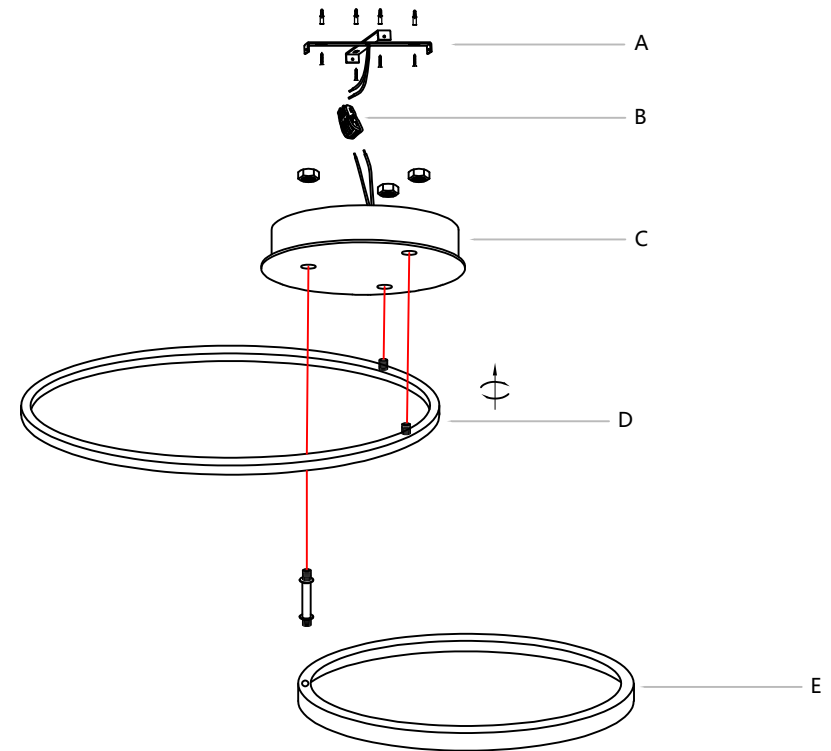
Attach the mounting plate to the ceiling with self-tapping screws.



Connect the wires to the terminal blocks. Usually, the neutral wire (white) and the live wire (black).

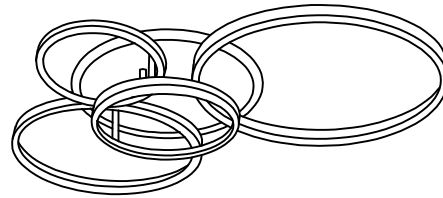


Align the hole on the side of the integral lamp canopy with the hole on the mounting plate and lock it tightly with screws.



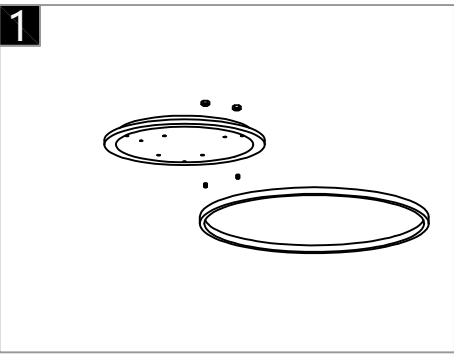
First, install the lamp ring (D, E) onto the top cover (C). Then, fix the mounting plate (A) to the ceiling. Next, connect the wires reserved on the top cover (C) to the terminal blocks (B) on the ceiling. Finally, lock the top cover (C) onto the mounting plate (A), and then tighten the screws at the edges of the top cover (C).

Warning:
This product must be installed by personnel who are familiar with its structure and related hazards, in accordance with the installation specifications. This product is suitable for indoor installation.

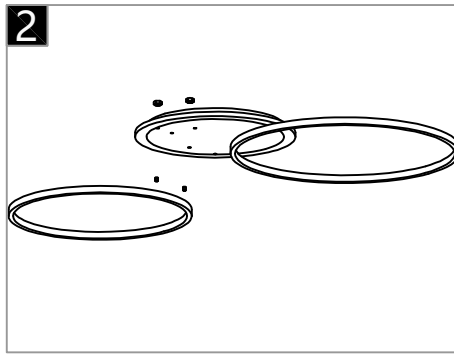


Product style diagram

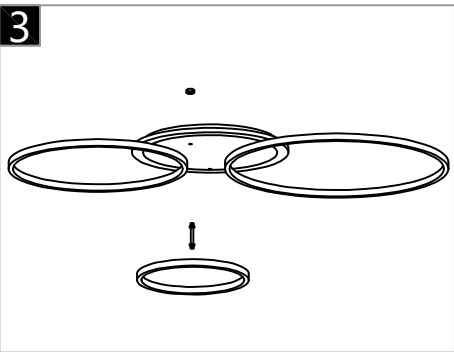
Steps of installation



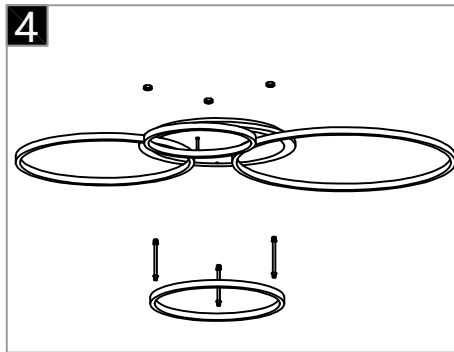
First install the lamp ring ①.



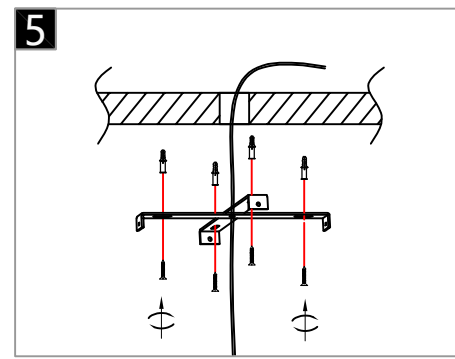
Then install the ②nd light ring



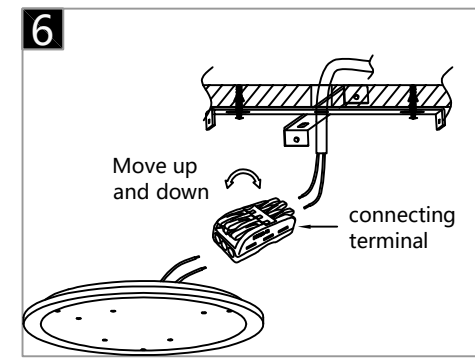
Then attach the ③-shaped light ring to a short tooth rod and install it onto the top cover.



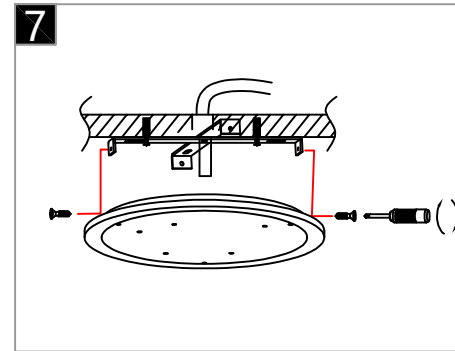
Finally, the ④th light ring is equipped with three long tooth rods and is installed onto the top cover.



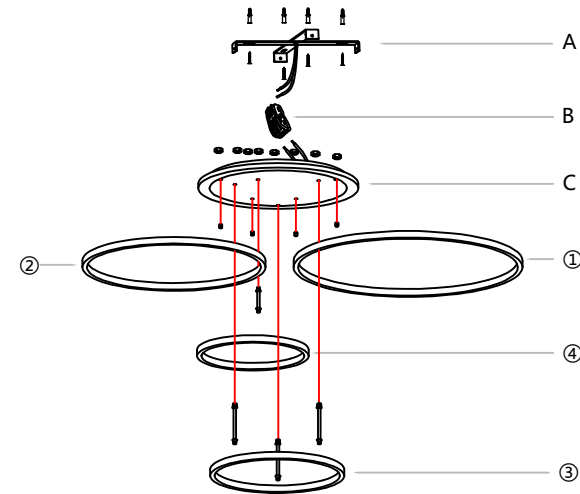
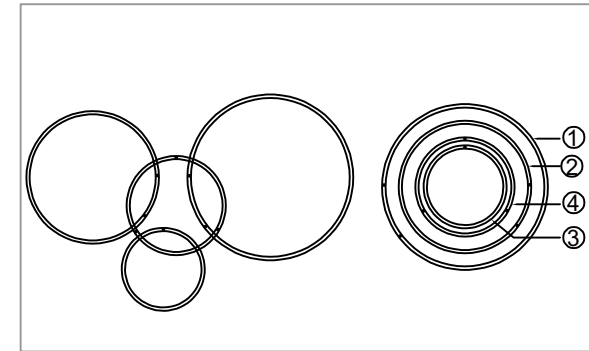
Attach the mounting plate to the ceiling with self-tapping screws.



Connect the wires inside the luminaire and ceiling to the terminal, usually neutral wire (white), hot wire (black)

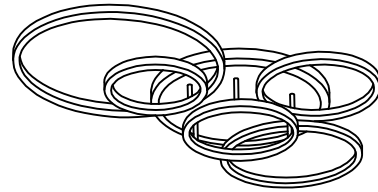


Align the holes on the top cover with the holes on the mounting plate, and then secure them with screws.



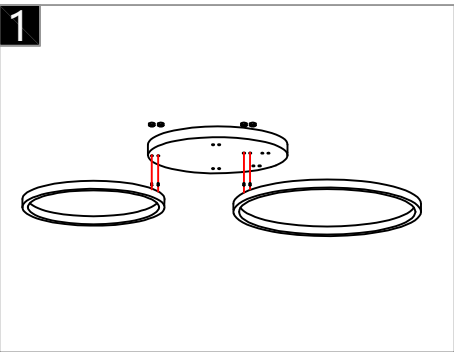
First, install the lamp ring onto the top cover (C) according to the sequence number. Then, fix the mounting plate (A) to the ceiling. Next, connect the wires reserved on the lampshade (C) to the terminals (B) on the ceiling. Finally, lock the top cover (C) onto the mounting plate (A), and then tighten the screws on the edge of the top cover (C).

Warning:
This product must be installed by personnel who are familiar with its structure and related hazards, in accordance with the installation specifications. This product is suitable for indoor installation.

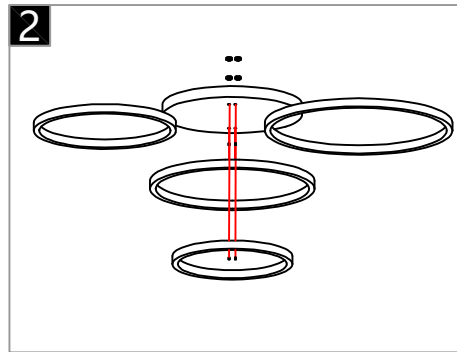


Product style diagram

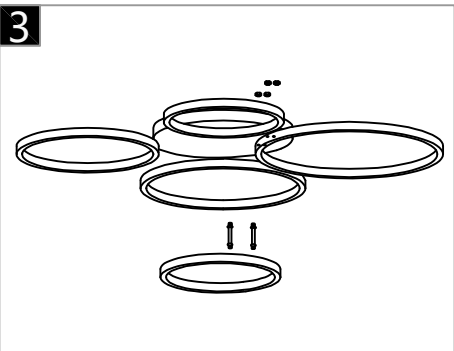
Steps of installation



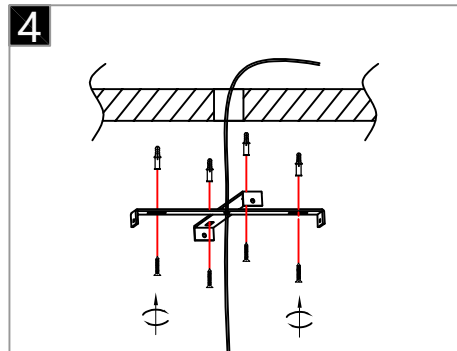
Align the ① and ② lamp rings with the holes and install them onto the top cover.



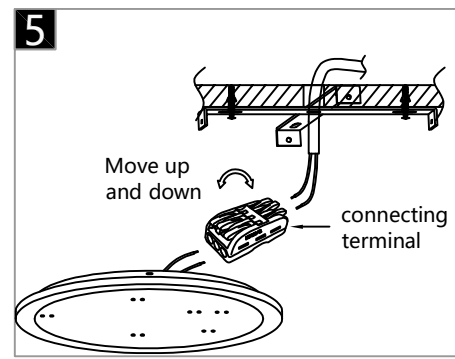
Then align the ③ and ④ lamp rings with the holes and install them onto the top cover.



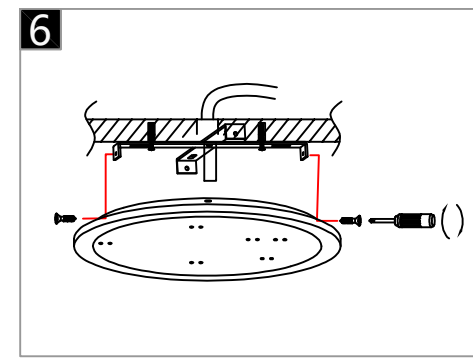
Finally, align the ⑤ lamp rings with the holes and install them onto the top cover.



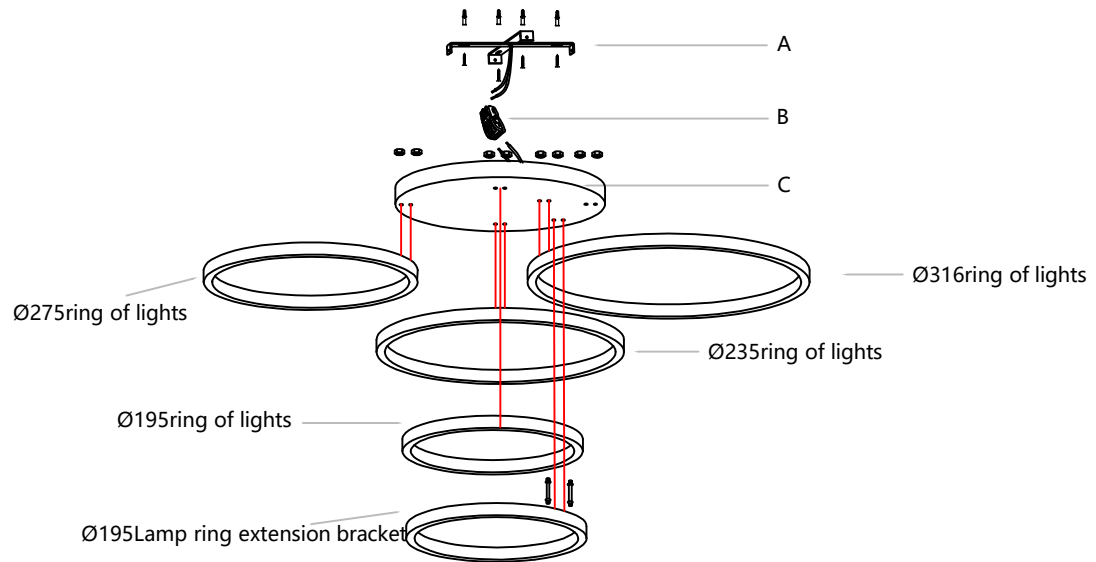
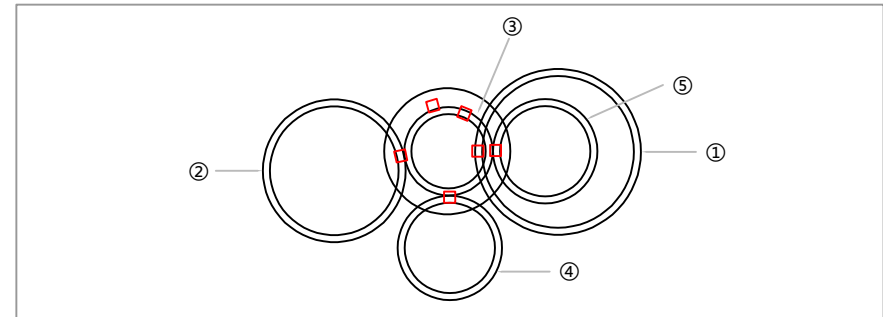
Attach the mounting plate to the ceiling with self-tapping screws.



Connect the wires inside the luminaire and ceiling to the terminal, usually neutral wire (white), hot wire (black)

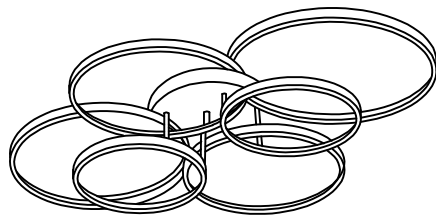


Align the holes on the top cover with the holes on the mounting plate, and then secure them with screws.



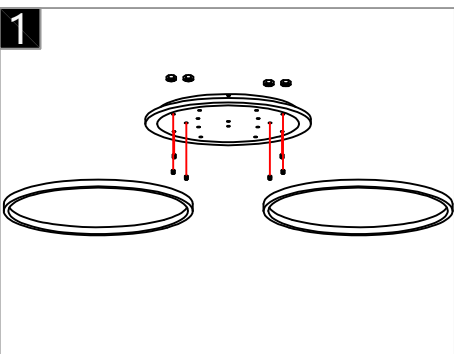
First, install the lamp ring onto the top cover (C) according to the sequence number. Then, fix the mounting plate (A) to the ceiling. Next, connect the wires reserved on the lampshade (C) to the terminals (B) on the ceiling. Finally, lock the top cover (C) onto the mounting plate (A), and then tighten the screws on the edge of the top cover (C).

Warning:
This product must be installed by personnel who are familiar with its structure and related hazards, in accordance with the installation specifications. This product is suitable for indoor installation.

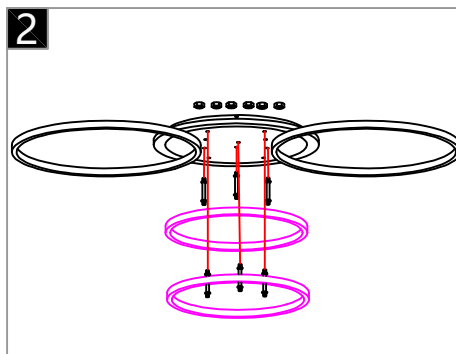


Product style diagram

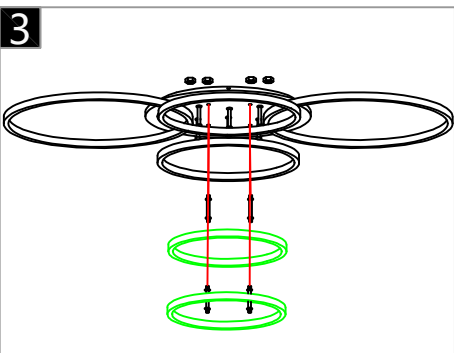
Steps of installation



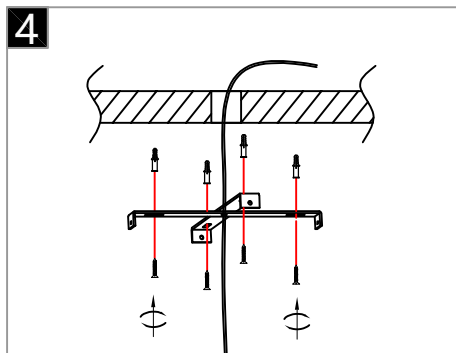
First install the lamp ring ①.



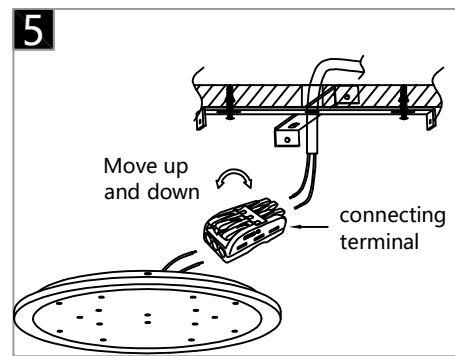
Then, attach the two lamp rings of sequence number ② to the top cover using three short pronged screws.



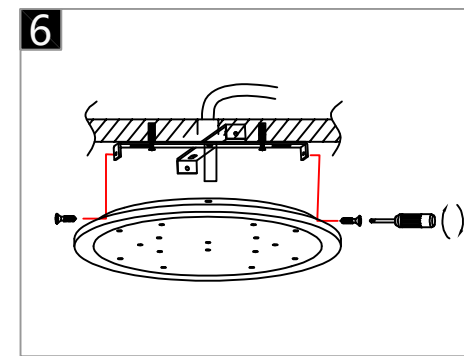
Then, attach the two lamp rings of sequence number ③ to two long tooth rods and lock them onto the top cover.



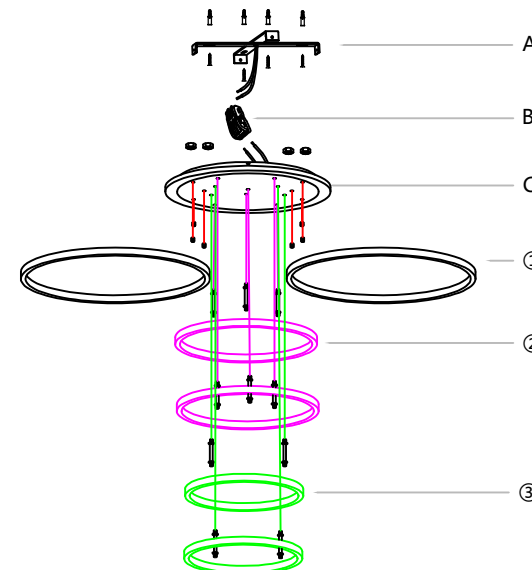
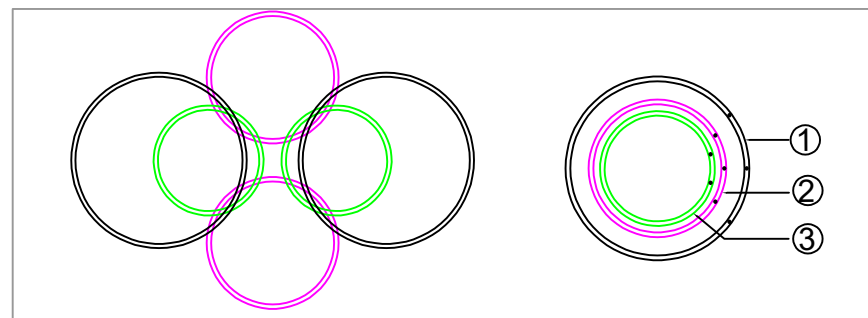
Attach the mounting plate to the ceiling with self-tapping screws.



Connect the wires inside the luminaire and ceiling to the terminal, usually neutral wire (white), hot wire (black)

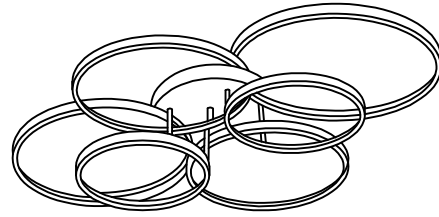


Align the holes on the top cover with the holes on the mounting plate, and then secure them with screws.



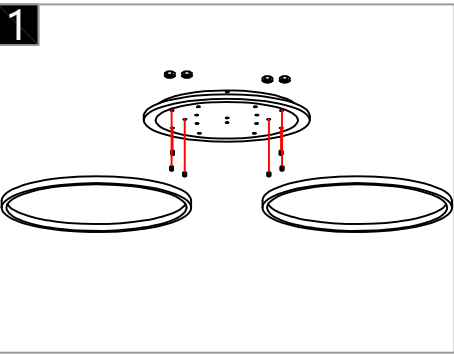
First, install the lamp ring onto the top cover (C) according to the sequence number. Then, fix the mounting plate (A) to the ceiling. Next, connect the wires reserved on the lampshade (C) to the terminals (B) on the ceiling. Finally, lock the top cover (C) onto the mounting plate (A), and then tighten the screws on the edge of the top cover (C).

Warning:
This product must be installed by personnel who are familiar with its structure and related hazards, in accordance with the installation specifications. This product is suitable for indoor installation.

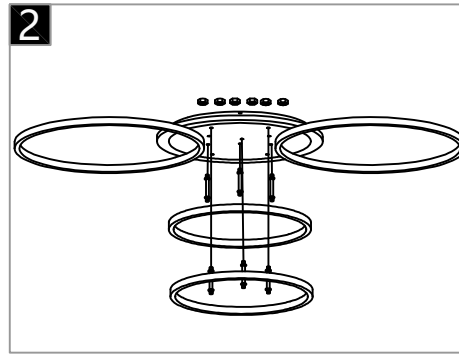


Product style diagram

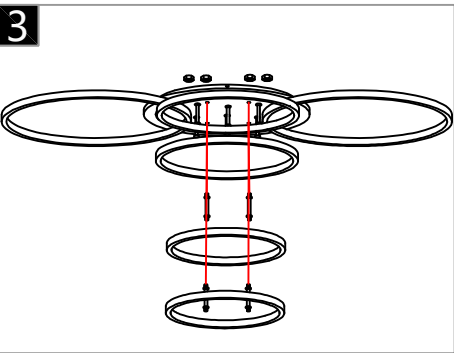
Steps of installation



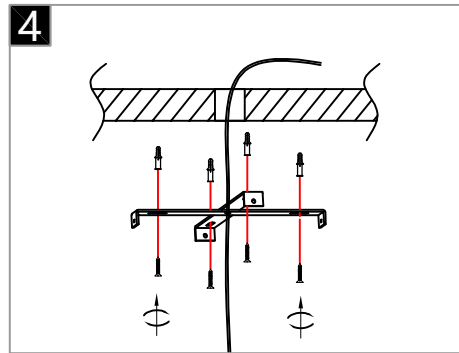
First install the lamp ring ①.



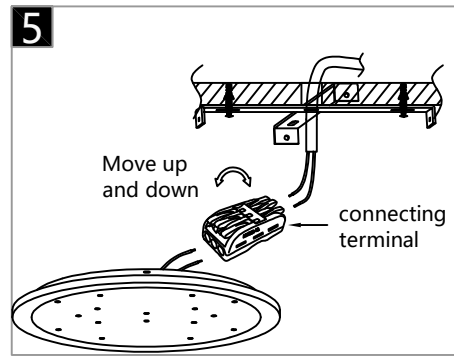
Then, attach the two lamp rings of sequence number ② to the top cover using three short pronged screws.



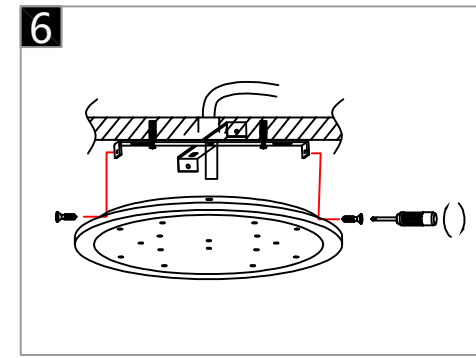
Then, attach the two lamp rings of sequence number ③ to two long tooth rods and lock them onto the top cover.



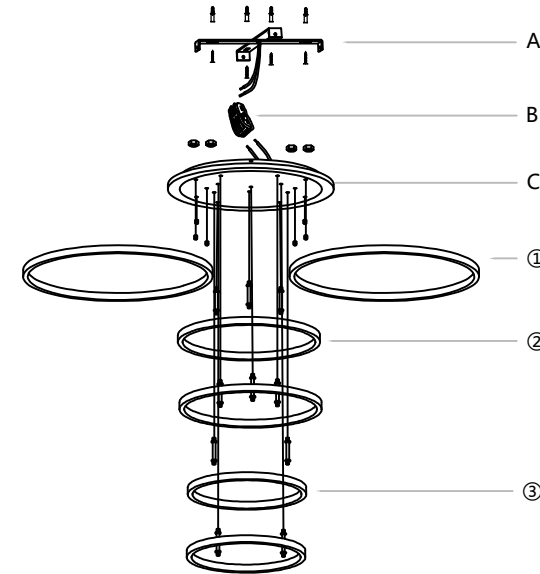
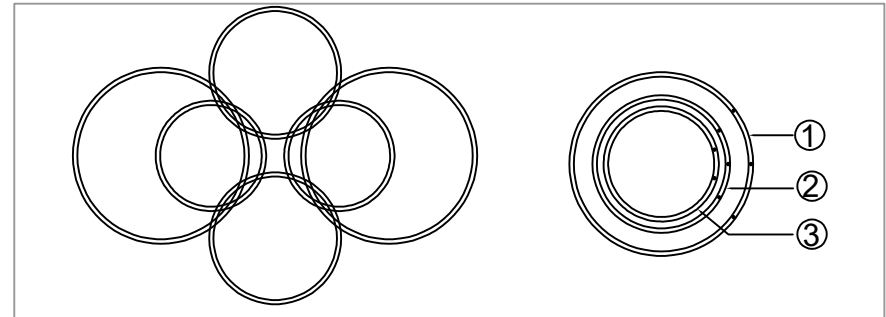
Attach the mounting plate to the ceiling with self-tapping screws.



Connect the wires inside the luminaire and ceiling to the terminal, usually neutral wire (white), hot wire (black)



Align the holes on the top cover with the holes on the mounting plate, and then secure them with screws.



First, install the lamp ring onto the top cover (C) according to the sequence number. Then, fix the mounting plate (A) to the ceiling. Next, connect the wires reserved on the lampshade (C) to the terminals (B) on the ceiling. Finally, lock the top cover (C) onto the mounting plate (A), and then tighten the screws on the edge of the top cover (C).