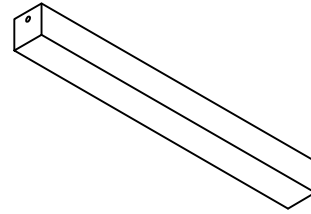
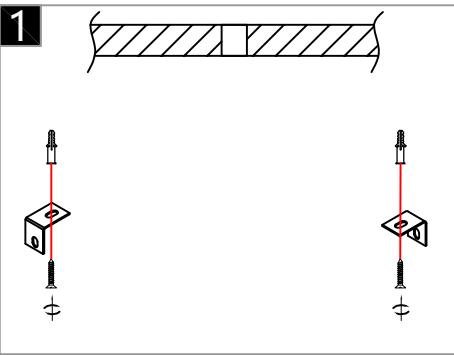


Warning:
This product must be installed by personnel who are familiar with its structure and related hazards, in accordance with the installation specifications. This product is suitable for indoor installation.

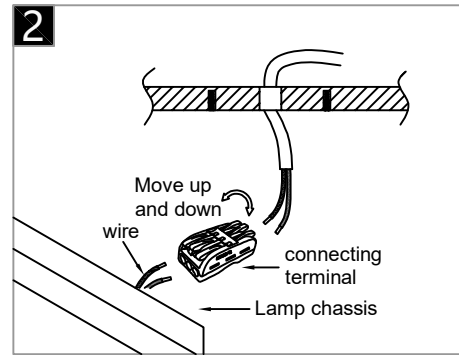


Product style diagram

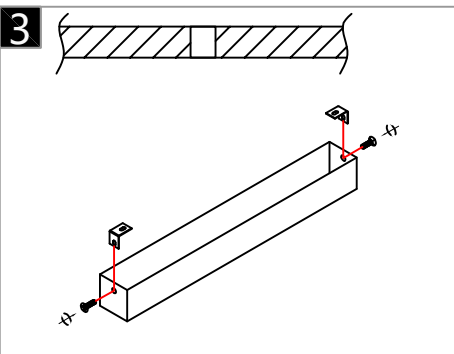
Steps of installation



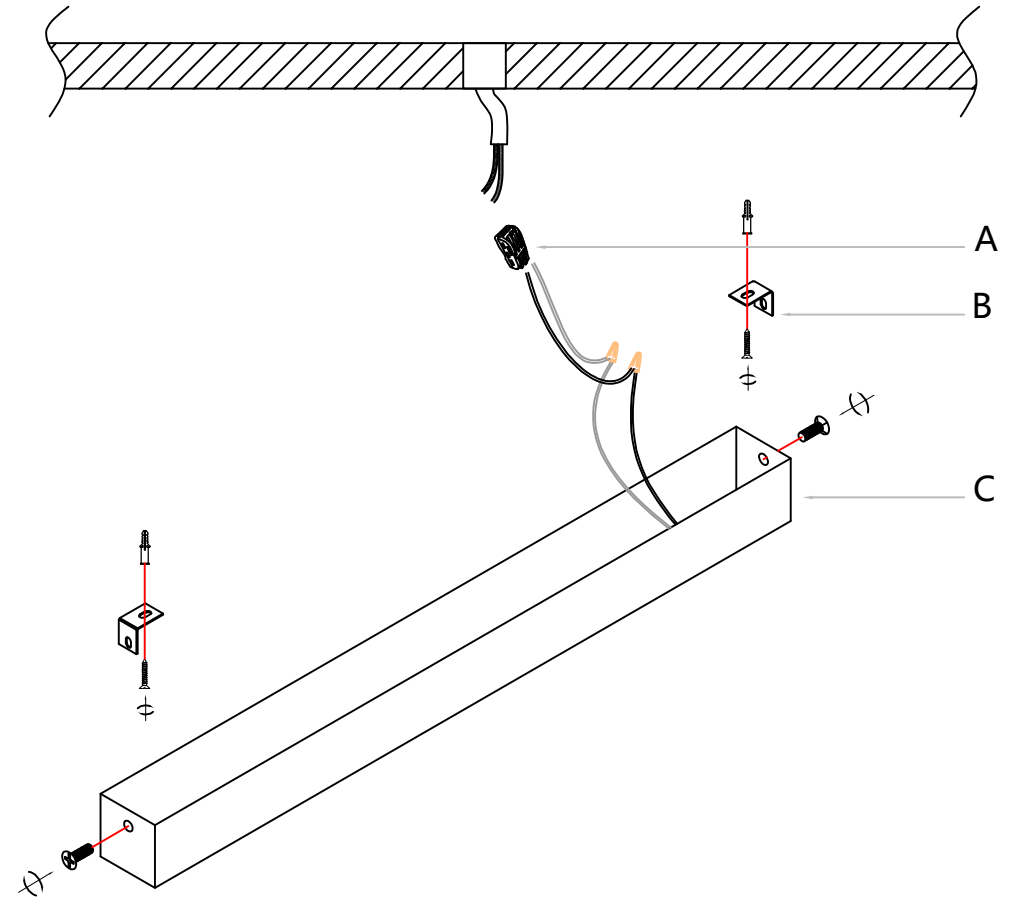
Fix the installation plate to the ceiling.



Connect the wires on the top cover to the wires on the ceiling and the terminal block.

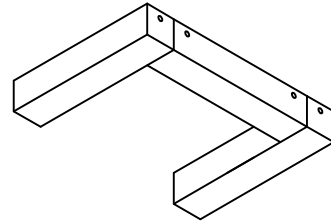


Align the holes on the top cover with the holes on the installation plate, and tighten the screws.



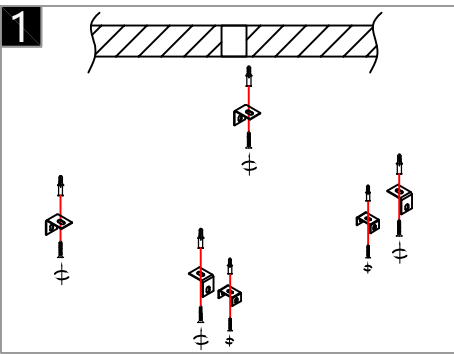
First, use a tape measure to measure the distance between the holes of the mounting plate (B) and make marks. Then, remove the mounting plate (B) from the lamp body (C), and fix the mounting plate (B) at the distance mark on the ceiling. Next, use the terminal block (A) to connect the wires of the lamp body and the wires on the ceiling. Then, align the holes of the lamp body (C) with those of the mounting plate (B), and tighten the screws.

Warning:
This product must be installed by personnel who are familiar with its structure and related hazards, in accordance with the installation specifications. This product is suitable for indoor installation.

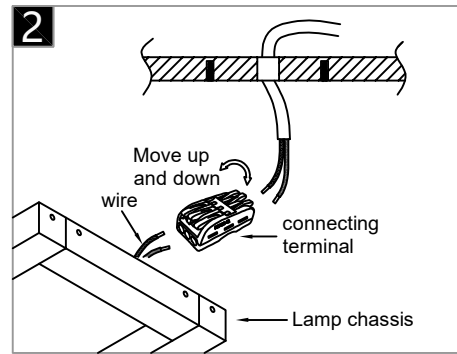


Product style diagram

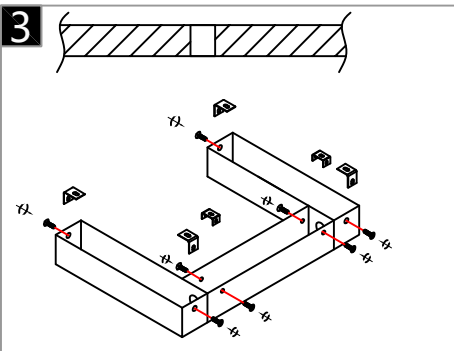
Steps of installation



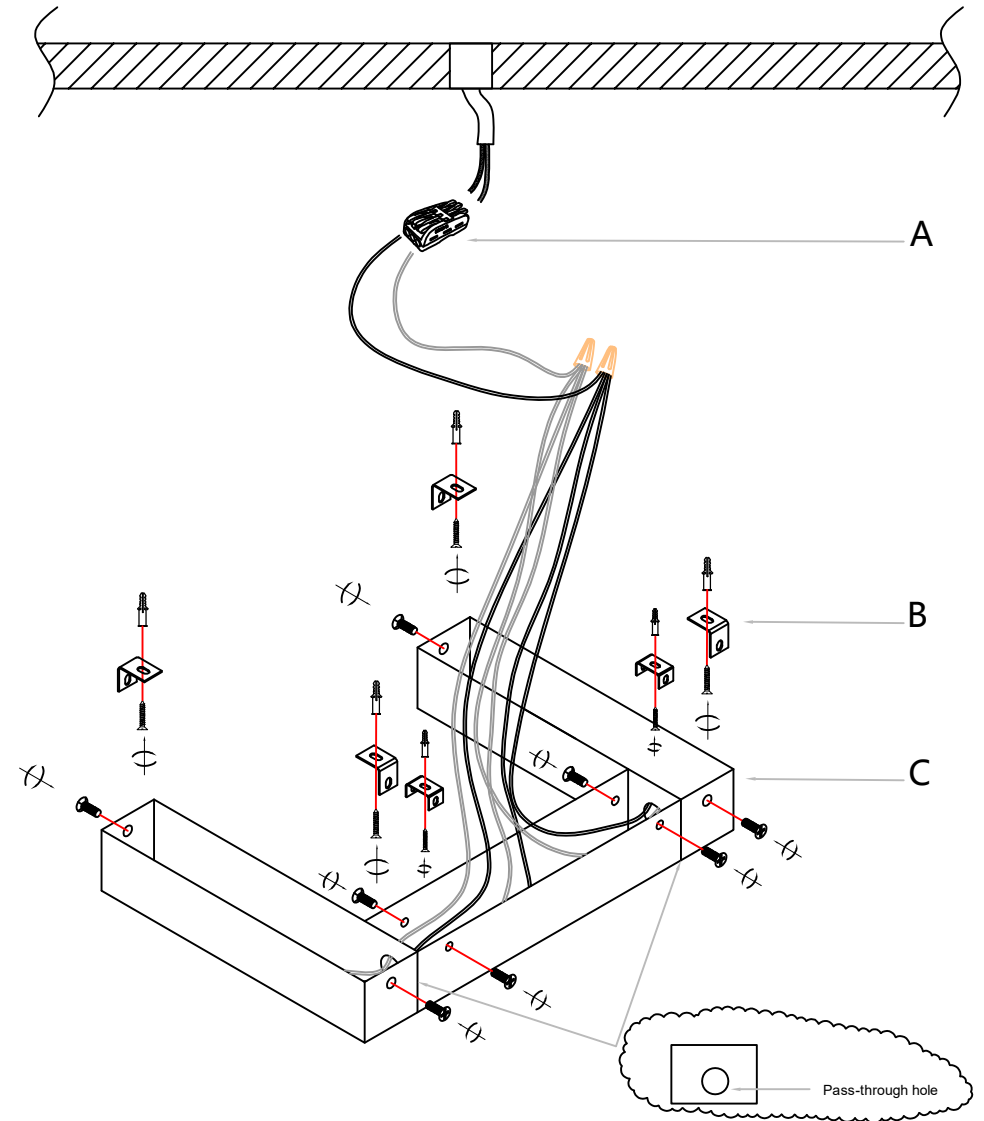
Fix the installation plate to the ceiling.



Connect the wires on the top cover to the wires on the ceiling and the terminal block.

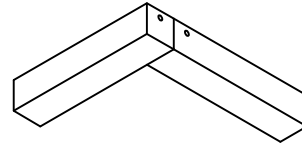


Align the holes on the top cover with the holes on the installation plate, and tighten the screws.



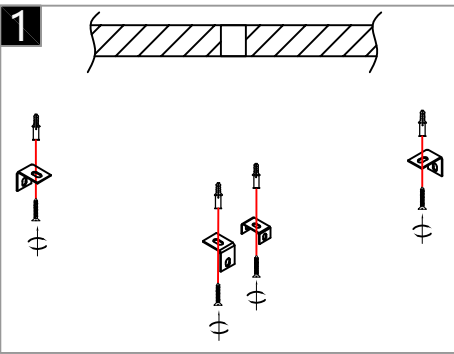
First, use a tape measure to measure the distance between the holes on the mounting plate (B) and mark them. Then, remove the mounting plate (B) from the lamp body (C) and fix it at the distance mark on the ceiling. Next, the wire harness passes through the connection holes between the lamp bodies (D). Use the wire cap (C) to connect the wire harness with the wires of the same color in the harness and the wires of the same color as a spare. Then, use the wire terminal (A) to connect the spare wire to the wire on the ceiling. Finally, align the holes on the lamp body (D) with the holes on the mounting plate (B) and tighten the screws.

Warning:
This product must be installed by personnel who are familiar with its structure and related hazards, in accordance with the installation specifications. This product is suitable for indoor installation.

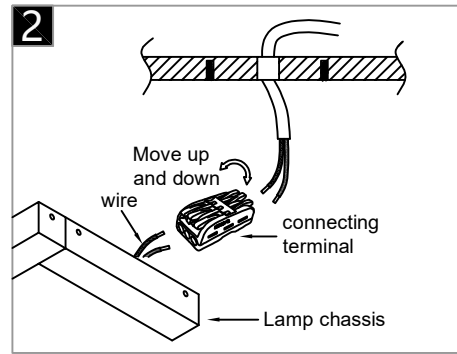


Product style diagram

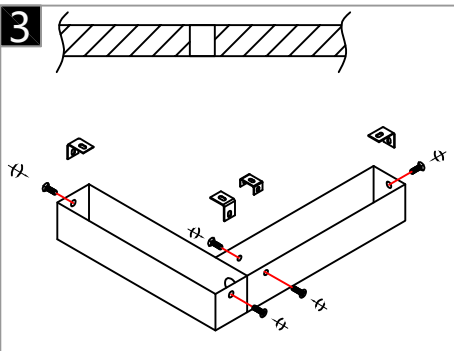
Steps of installation



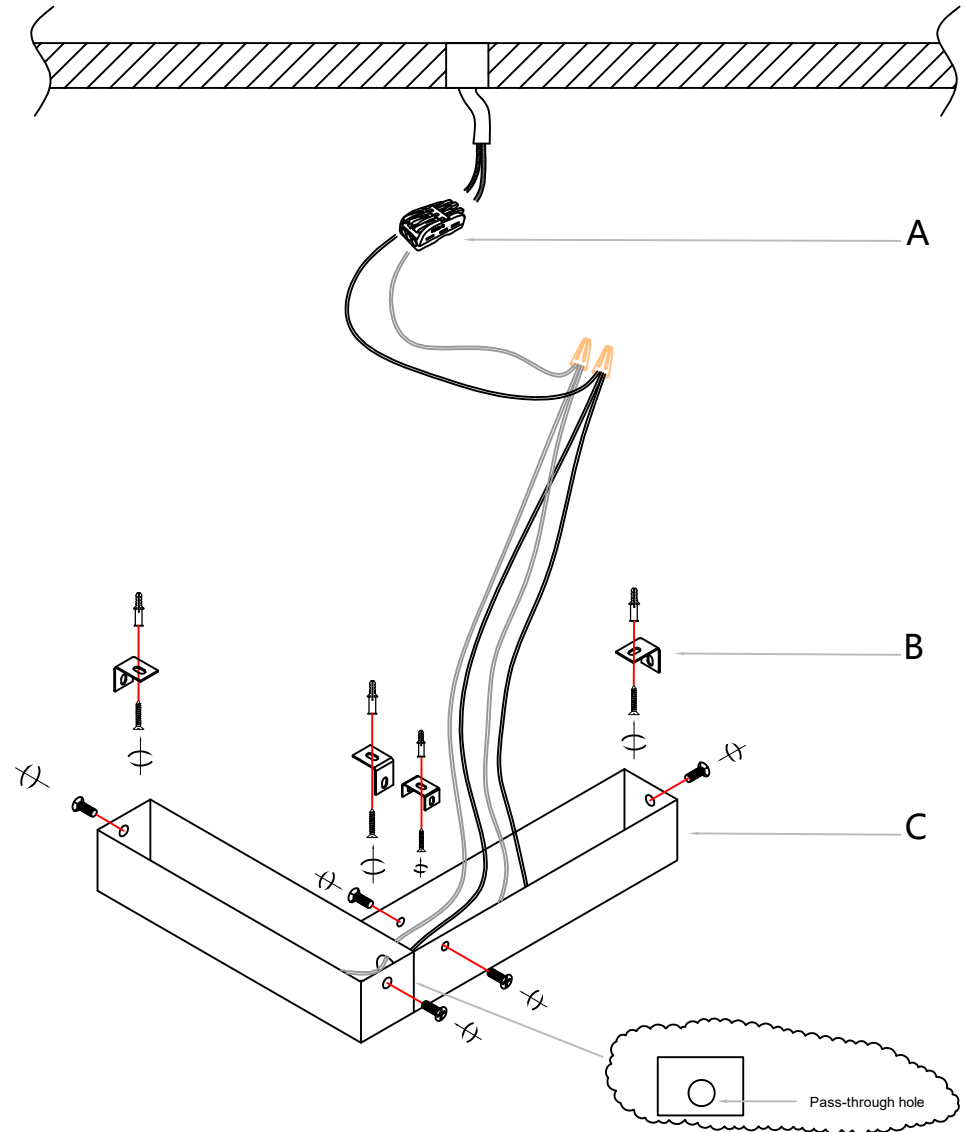
Fix the installation plate to the ceiling.



Connect the wires on the top cover to the wires on the ceiling and the terminal block.

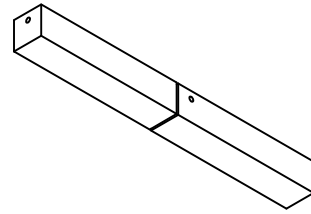


Align the holes on the top cover with the holes on the installation plate, and tighten the screws.



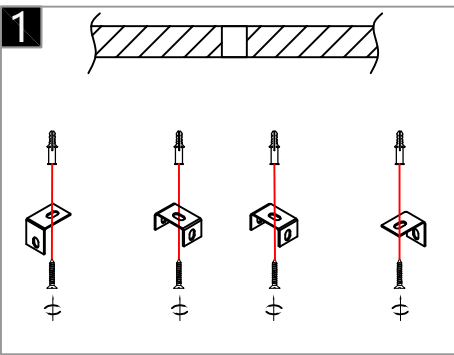
First, use a tape measure to measure the distance between the holes on the mounting plate (B) and mark them. Then, remove the mounting plate (B) from the lamp body (C) and fix it at the distance mark on the ceiling. Next, the wire harness passes through the connection holes between the lamp bodies (D). Use the wire cap (C) to connect the wire harness with the wires of the same color in the harness and the wires of the same color as a spare. Then, use the wire terminal (A) to connect the spare wire to the wire on the ceiling. Finally, align the holes on the lamp body (D) with the holes on the mounting plate (B) and tighten the screws.

Warning:
This product must be installed by personnel who are familiar with its structure and related hazards, in accordance with the installation specifications. This product is suitable for indoor installation.

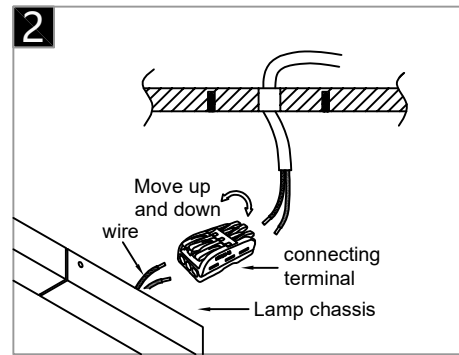


Product style diagram

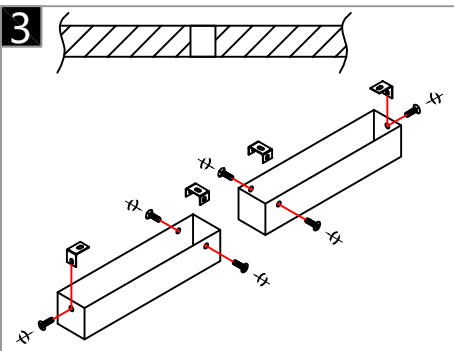
Steps of installation



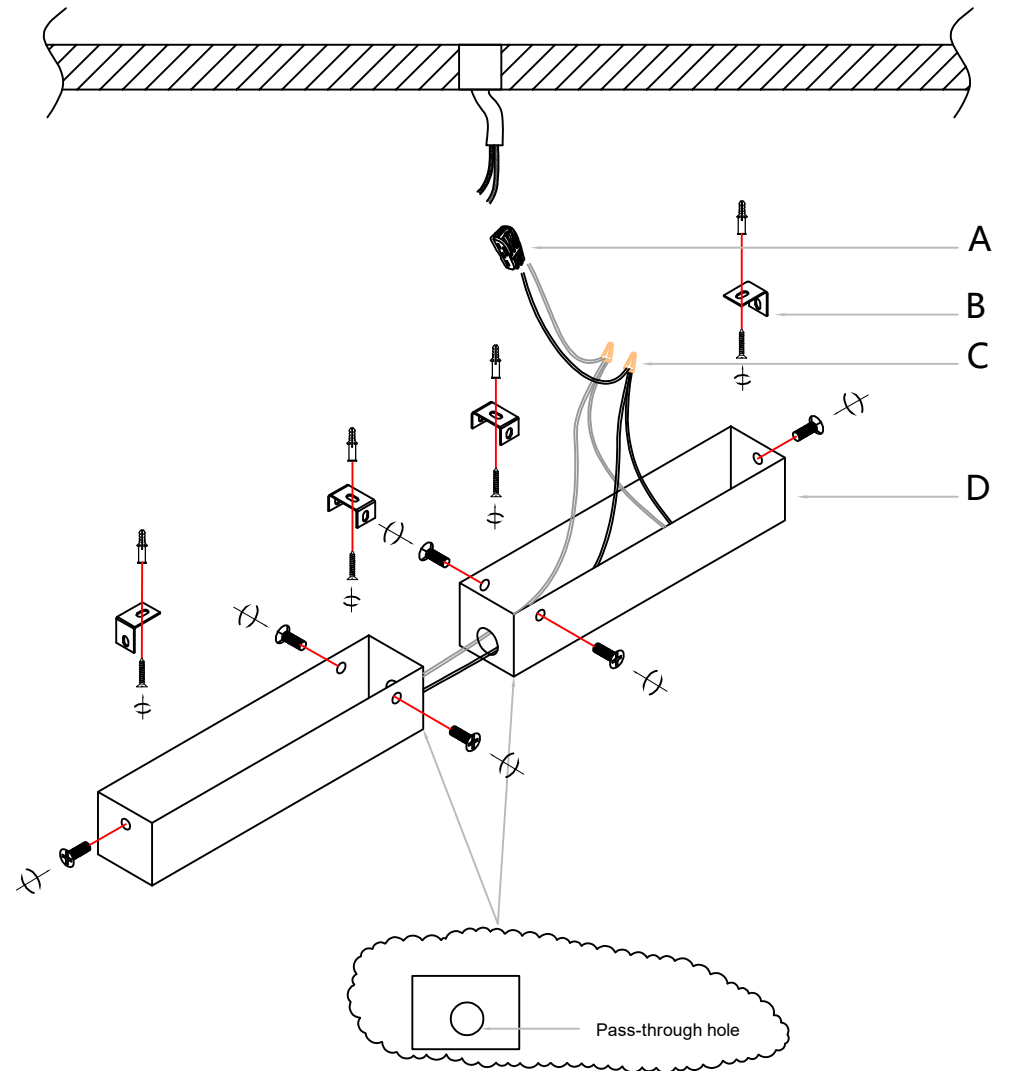
Fix the installation plate to the ceiling.



Connect the wires on the top cover to the wires on the ceiling and the terminal block.

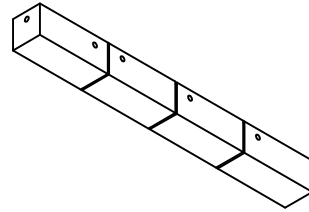


Align the holes on the top cover with the holes on the installation plate, and tighten the screws.



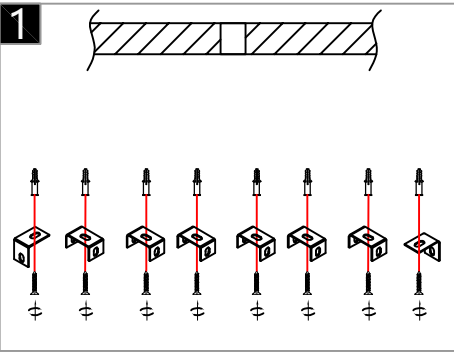
First, use a tape measure to measure the distance between the holes of the mounting plate (B) and make marks. Then, remove the mounting plate (B) from the lamp body (C), and fix the mounting plate (B) at the distance mark on the ceiling. Next, the wire group ① passes through the connection holes between the lamp bodies (D). Use the wire cap (C) to connect the wire group ① with the wires of the same color in group ② and the same-color spare wires. Then, use the wire terminal (A) to connect the spare wires and the wires on the ceiling. Finally, align the holes of the lamp body (D) with the holes of the mounting plate (B), and tighten the screws.

Warning:
This product must be installed by personnel who are familiar with its structure and related hazards, in accordance with the installation specifications. This product is suitable for indoor installation.

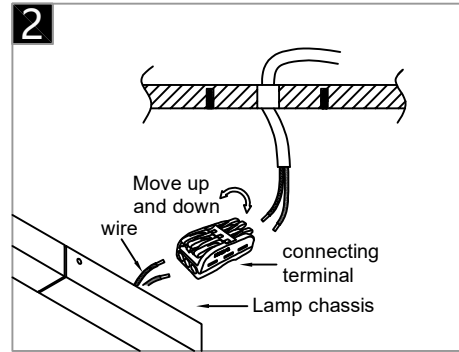


Product style diagram

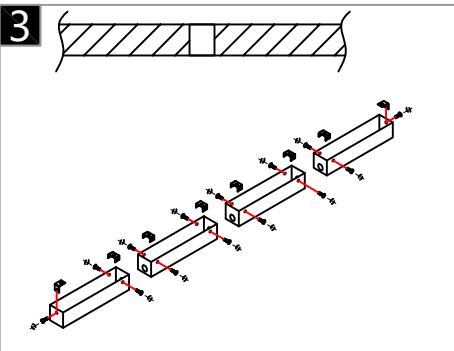
Steps of installation



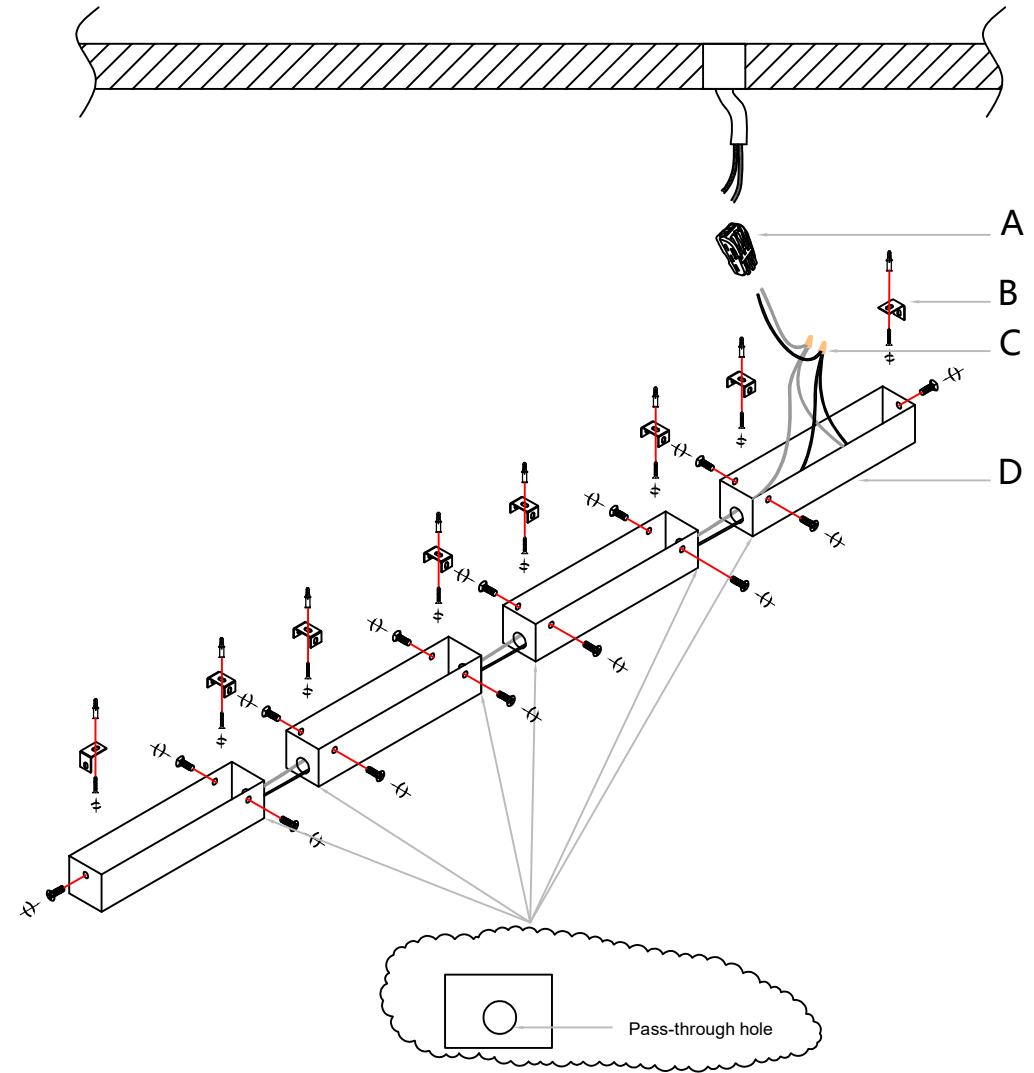
Fix the installation plate to the ceiling.



Connect the wires on the top cover to the wires on the ceiling and the terminal block.

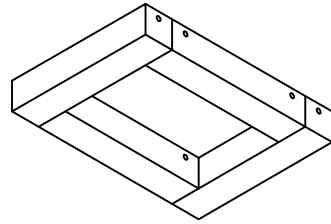


Align the holes on the top cover with the holes on the installation plate, and tighten the screws.



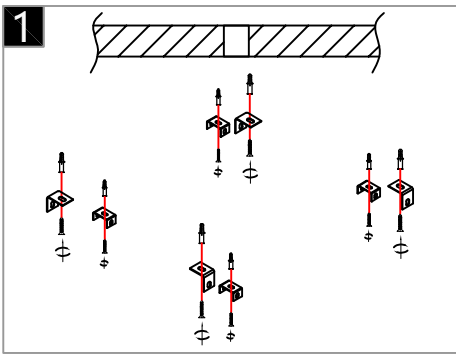
First, use a tape measure to measure the distance between the holes on the mounting plate (B) and mark them. Then, remove the mounting plate (B) from the lamp body (C) and fix it at the distance mark on the ceiling. Next, the wire harness passes through the connection holes between the lamp bodies (D). Use the wire cap (C) to connect the wire harness with the wires of the same color in the harness and the wires of the same color as a spare. Then, use the wire terminal (A) to connect the spare wire to the wire on the ceiling. Finally, align the holes on the lamp body (D) with the holes on the mounting plate (B) and tighten the screws.

Warning:
This product must be installed by personnel who are familiar with its structure and related hazards, in accordance with the installation specifications. This product is suitable for indoor installation.

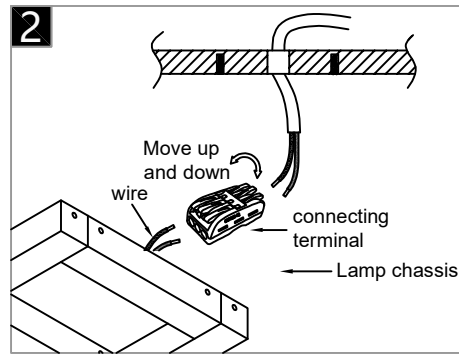


Product style diagram

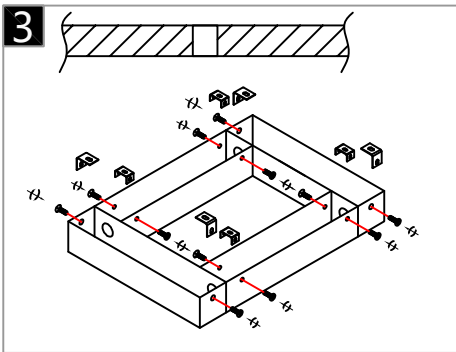
Steps of installation



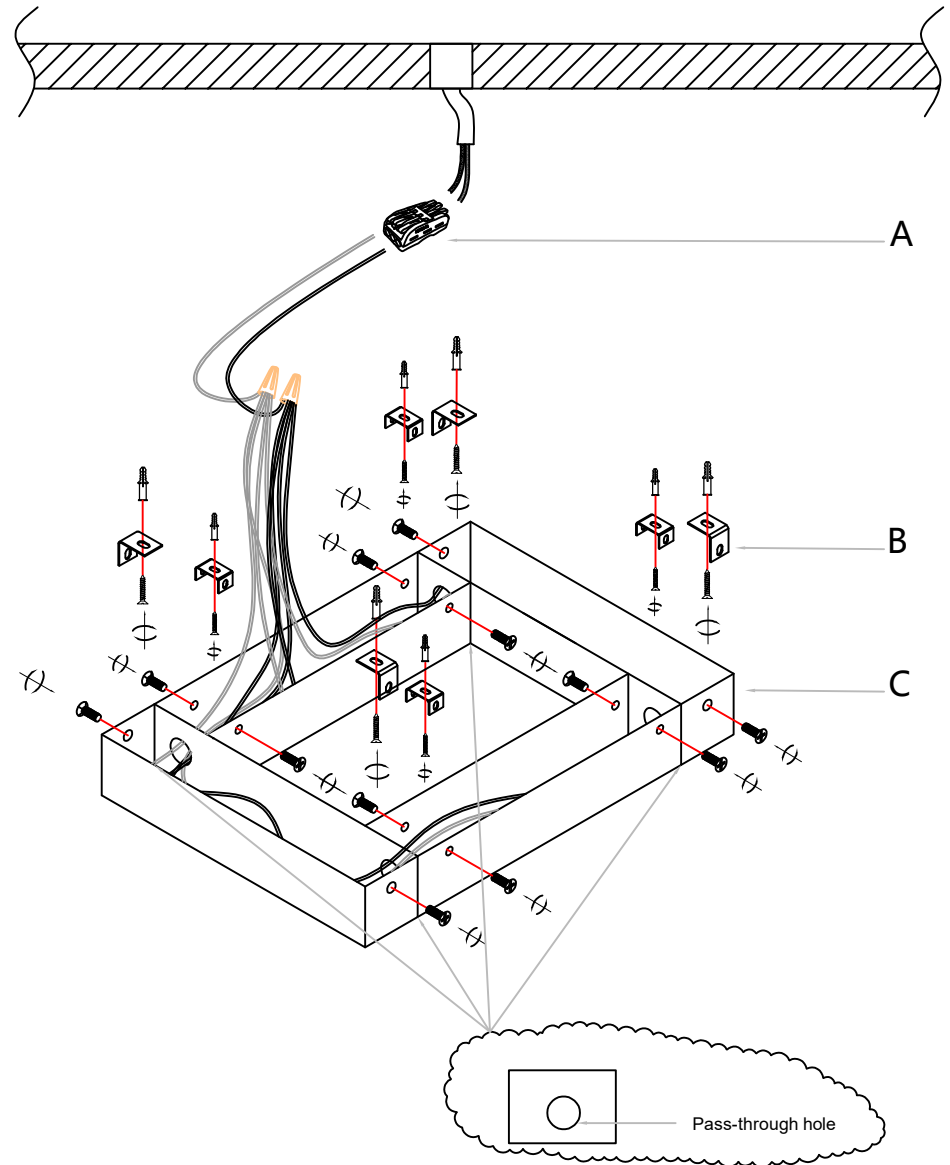
Fix the installation plate to the ceiling.



Connect the wires on the top cover to the wires on the ceiling and the terminal block.

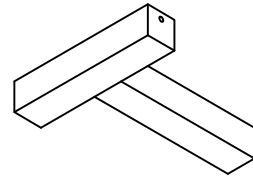


Align the holes on the top cover with the holes on the installation plate, and tighten the screws.



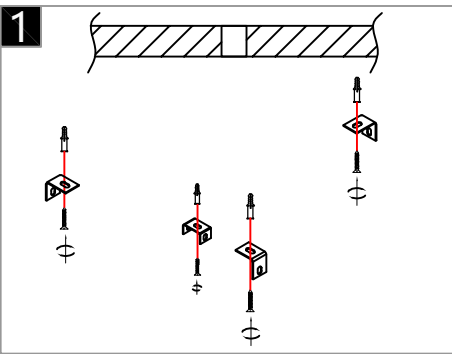
First, use a tape measure to measure the distance between the holes on the mounting plate (B) and mark them. Then, remove the mounting plate (B) from the lamp body (C) and fix it at the distance mark on the ceiling. Next, the wire harness passes through the connection holes between the lamp bodies (D). Use the wire cap (C) to connect the wire harness with the wires of the same color in the harness and the wires of the same color as a spare. Then, use the wire terminal (A) to connect the spare wire to the wire on the ceiling. Finally, align the holes on the lamp body (D) with the holes on the mounting plate (B) and tighten the screws.

Warning:
This product must be installed by personnel who are familiar with its structure and related hazards, in accordance with the installation specifications. This product is suitable for indoor installation.

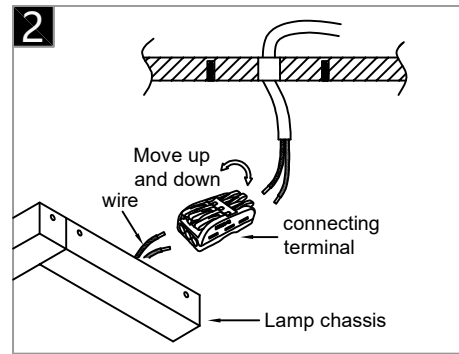


Product style diagram

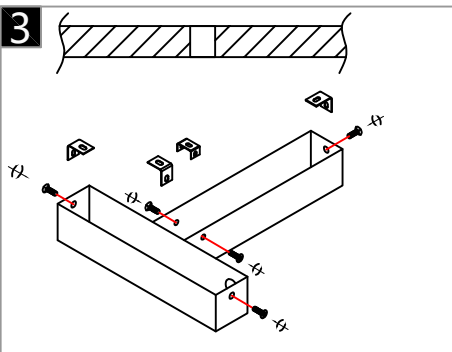
Steps of installation



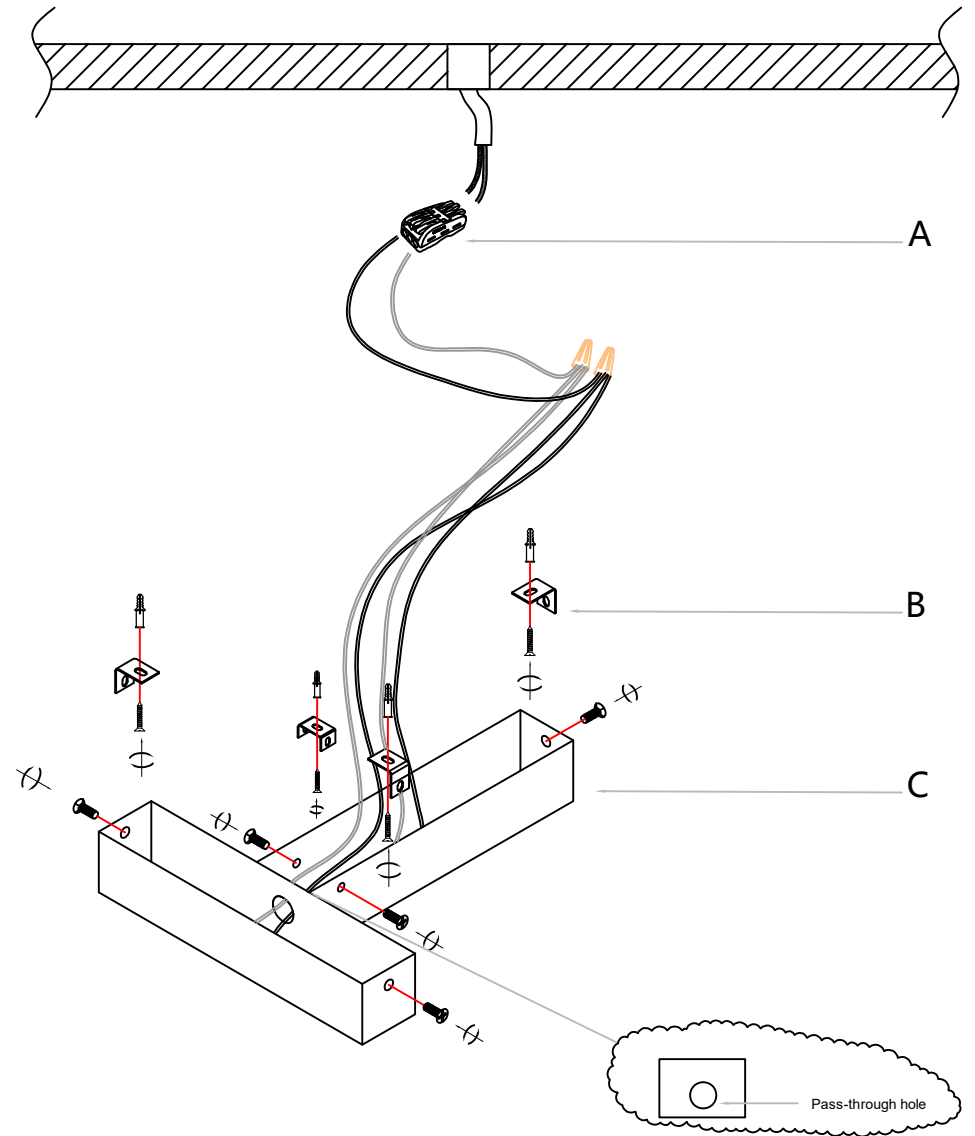
Fix the installation plate to the ceiling.



Connect the wires on the top cover to the wires on the ceiling and the terminal block.

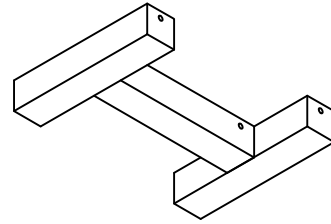


Align the holes on the top cover with the holes on the installation plate, and tighten the screws.



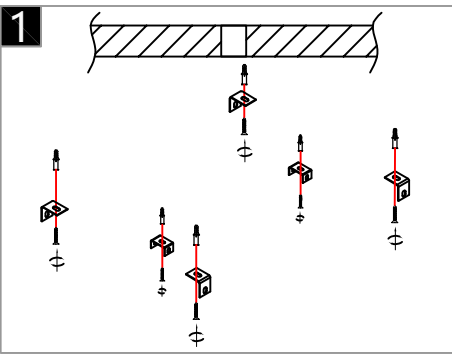
First, use a tape measure to measure the distance between the holes on the mounting plate (B) and mark them. Then, remove the mounting plate (B) from the lamp body (C) and fix it at the distance mark on the ceiling. Next, the wire harness passes through the connection holes between the lamp bodies (D). Use the wire cap (C) to connect the wire harness with the wires of the same color in the harness and the wires of the same color as a spare. Then, use the wire terminal (A) to connect the spare wire to the wire on the ceiling. Finally, align the holes on the lamp body (D) with the holes on the mounting plate (B) and tighten the screws.

Warning:
This product must be installed by personnel who are familiar with its structure and related hazards, in accordance with the installation specifications. This product is suitable for indoor installation.

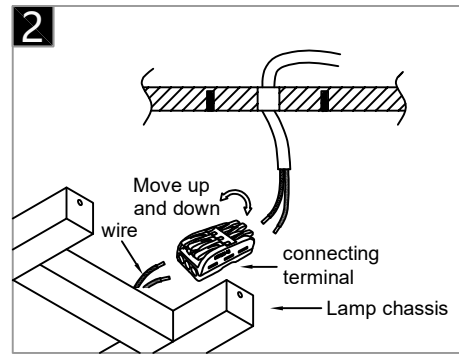


Product style diagram

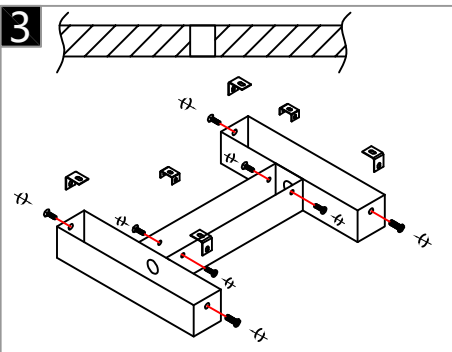
Steps of installation



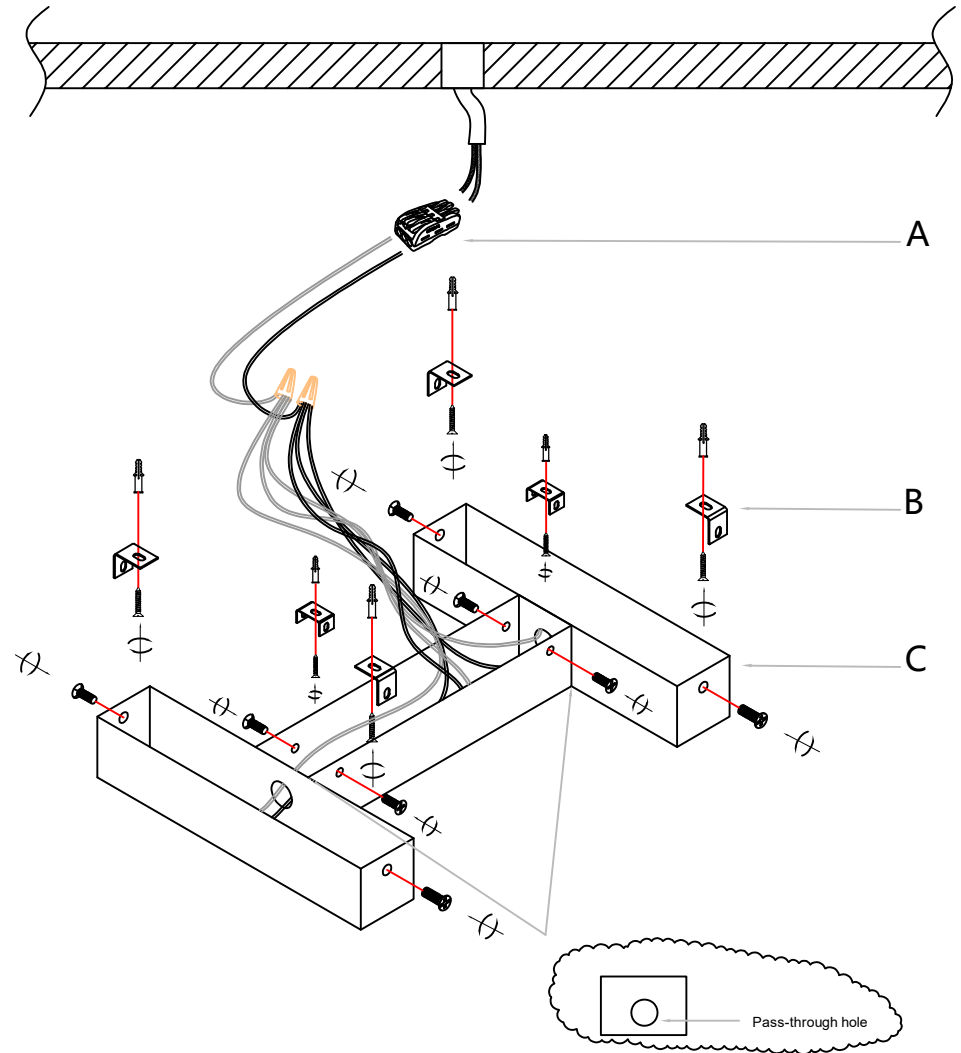
Fix the installation plate to the ceiling.



Connect the wires on the top cover to the wires on the ceiling and the terminal block.



Align the holes on the top cover with the holes on the installation plate, and tighten the screws.



First, use a tape measure to measure the distance between the holes on the mounting plate (B) and mark them. Then, remove the mounting plate (B) from the lamp body (C) and fix it at the distance mark on the ceiling. Next, the wire harness passes through the connection holes between the lamp bodies (D). Use the wire cap (C) to connect the wire harness with the wires of the same color in the harness and the wires of the same color as a spare. Then, use the wire terminal (A) to connect the spare wire to the wire on the ceiling. Finally, align the holes on the lamp body (D) with the holes on the mounting plate (B) and tighten the screws.